



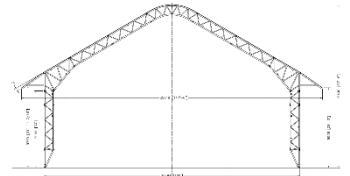
AP DYNAMICS  
engineering

# Drafting and Design

Solving Tough Engineering Problems

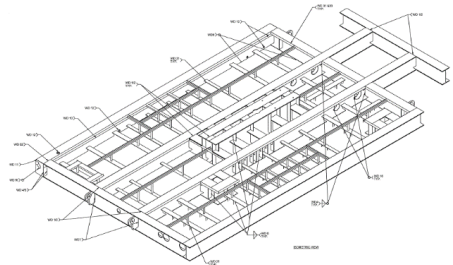
AP DYNAMICS provides a complete range of **Drafting and Design Services** to drive products and equipment from concept to reality whether it be for conceptual design, constructible drawings, or detailed drawings,

Our highly skilled technical drafters aim for **innovative and practical solutions** to design packages. We offer **high quality, cost-effective** and **client-oriented** project services using proven and **state-of-the-art Computer-Aided Design (CAD)**.



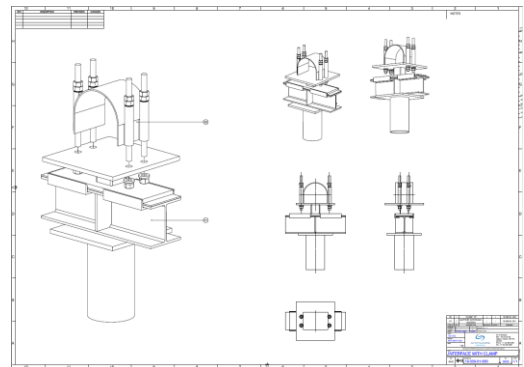
## TYPES OF DRAWINGS

- ✓ 3D model
- ✓ Isometrics
- ✓ 2D plans, sections and details
- ✓ Individual bills of materials
- ✓ Shop fabrication
- ✓ Process and Instrumentation Diagram (P&ID)



## TYPICAL APPLICATIONS

- ✓ Structural
- ✓ Mechanical
- ✓ Electrical
- ✓ Control and Instrumentation



## SOFTWARE

- ✓ AutoCad (AutoDesk)
- ✓ Solidworks (Dassault Systèmes)
- ✓ Creo (PTC)
- ✓ Catia (Dassault Systèmes)

