



AP DYNAMICS engineering

ROTOR DYNAMICS

Solving Tough Engineering Problems

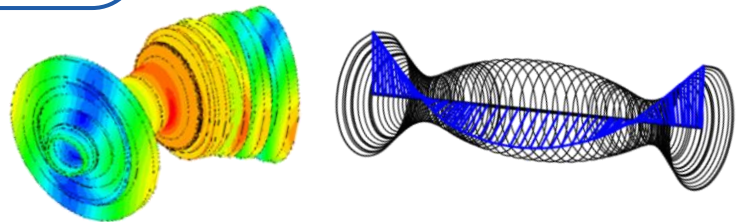
AP DYNAMICS provides a complete range of services related to **Rotordynamics and Torsional Vibration Analysis**. Analysis is critical on new and modified equipment to ensure the long-term reliability of your asset. Improper design can lead to catastrophic failure.

Our specialists will assist you throughout the project to ensure successful results.



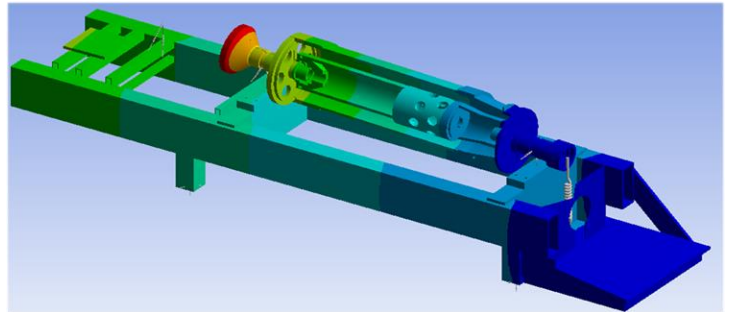
TYPES OF ANALYSIS

- ✓ Torsional Analysis
 - ✓ Coupling Selection
 - ✓ Life prediction
 - ✓ Failure Analysis
- ✓ Rotordynamic Analysis
 - ✓ Stability
 - ✓ Unbalance Response
 - ✓ Bearing Selection
 - ✓ Critical Speed



FIELDS OF APPLICATION

- ✓ Compressor power trains
- ✓ Pump station power trains
- ✓ Gas Turbines
- ✓ Centrifuges
- ✓ Fans
- ✓ Wind Turbines



TYPICAL CODES OF APPLICATION

- ✓ API 684
- ✓ API 618
- ✓ API 617
- ✓ API 610

