



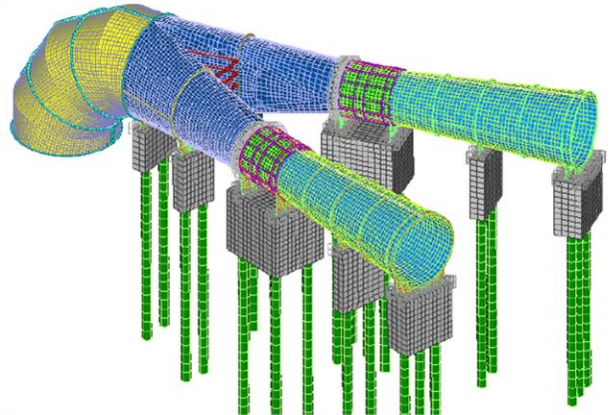
AP DYNAMICS engineering

STRUCTURAL ENGINEERING

Solving Tough Engineering Problems

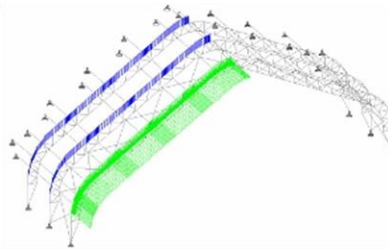
AP DYNAMICS provides a complete range of **Structural Analysis Services** for various applications.

Our highly skilled engineers allow for solutions to **understand** and to **predict** the **physical behavior** of complex systems. We offer **high quality**, **cost-effective** and **client-oriented** project services using proven **state-of-the-art simulation** techniques.



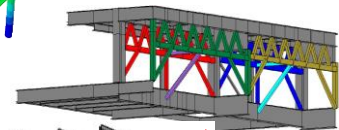
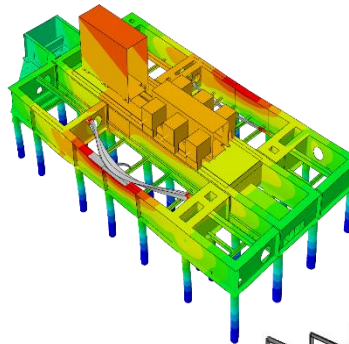
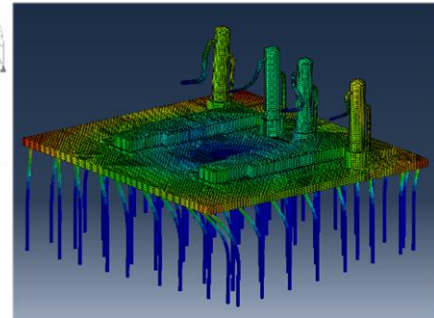
FIELDS OF APPLICATION

- ✓ Lightweight Metallic Structures
- ✓ Industrial Warehouses
- ✓ Machinery Enclosures and Foundations
- ✓ Static and Rotating Equipment Skids
- ✓ Piping Supports/Racks
- ✓ Processing/Storage Tanks
- ✓ Flare Stacks
- ✓ Pedestrian Bridges
- ✓ Lifting Devices



TYPES OF ANALYSIS

- ✓ New Design
- ✓ Regulatory Compliance
- ✓ Foundation Design
- ✓ Static Analysis
- ✓ Dynamic Analysis
- ✓ Lifting Analysis
- ✓ Transportation Analysis
- ✓ Seismic Analysis
- ✓ Field Inspections



Legend for figure 3:

- Front 'A' Truss
- Front 'B' Truss
- Rear 'A' Truss
- Rear 'B' Truss
- 'A' Brace
- 'B' Brace

TYPICAL CODES OF APPLICATION

- ✓ ASME
- ✓ API
- ✓ NBC
- ✓ AISC
- ✓ IBC
- ✓ Eurocodes

